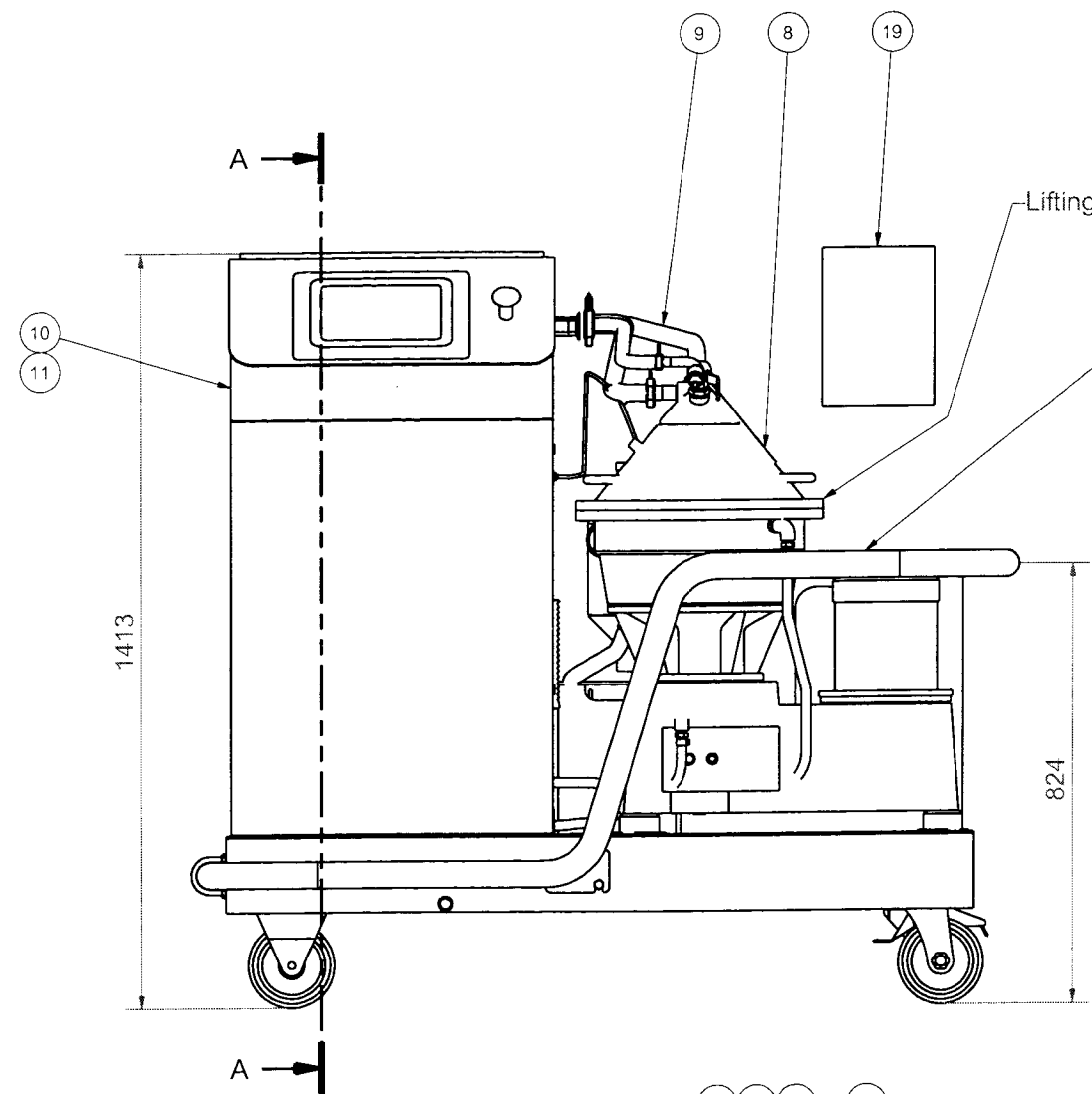
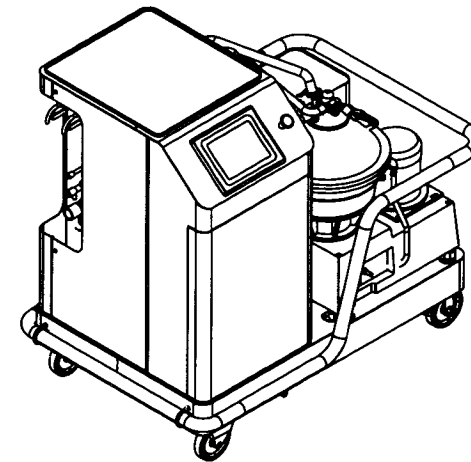
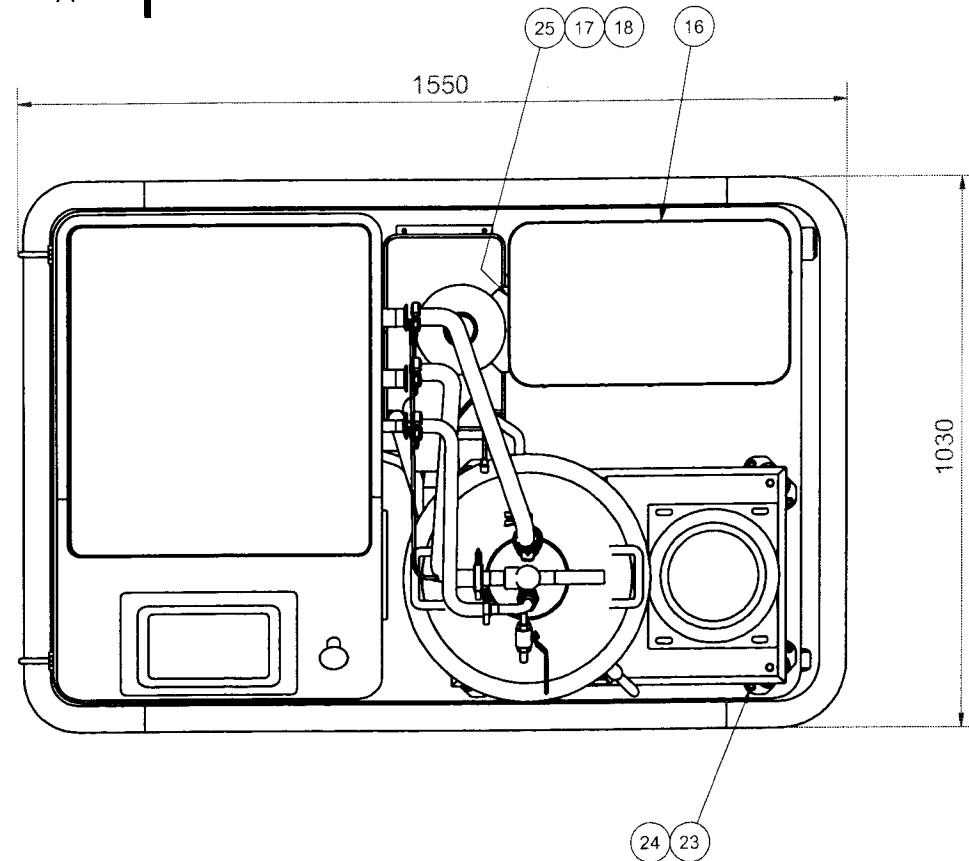
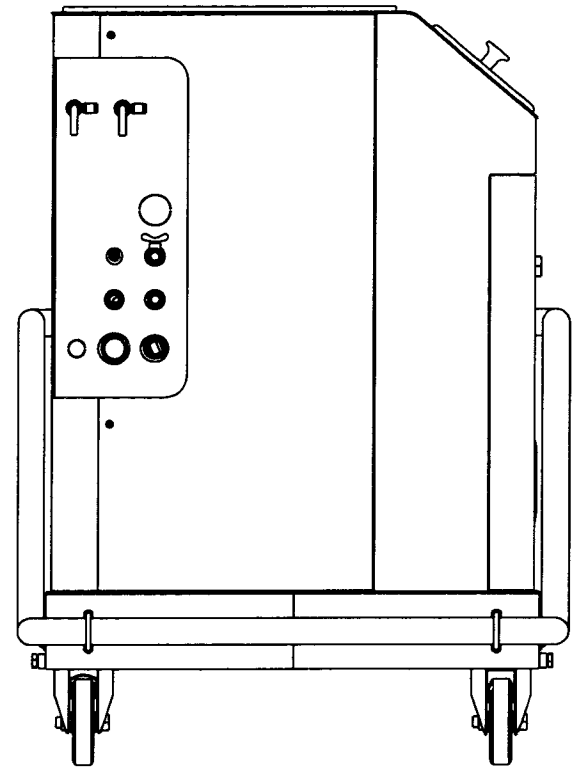
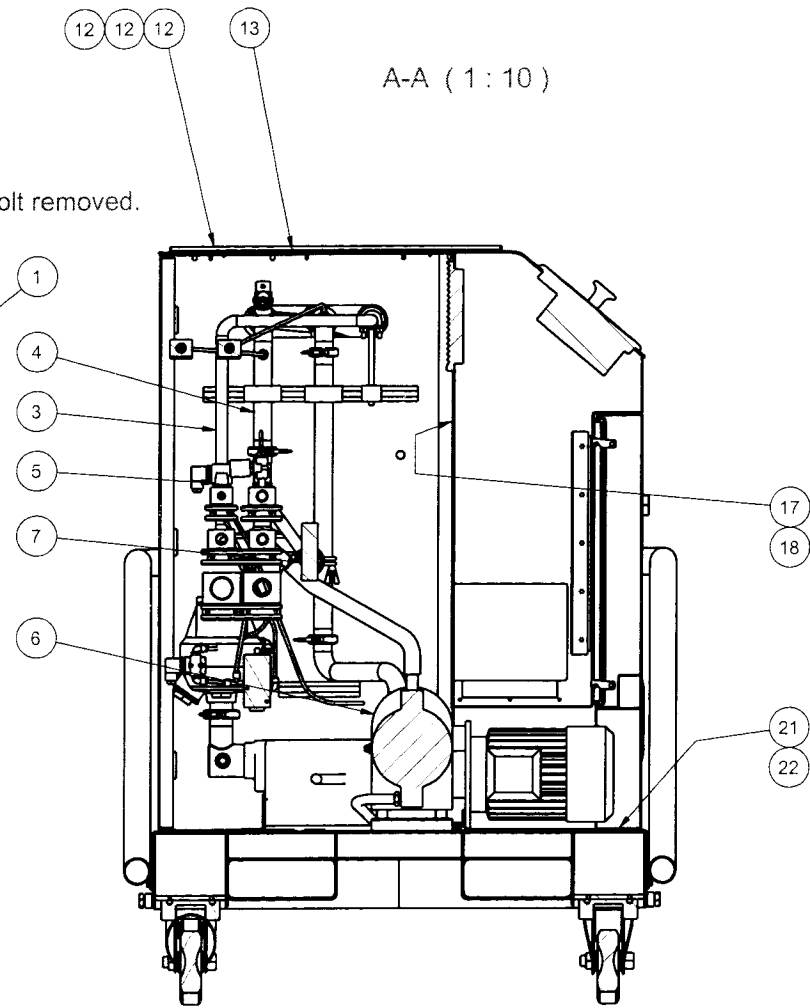


This document may constitute a contractual obligation on the part of Alfa Laval AB only to the extent expressly agreed upon.

This document and its content are the exclusive property of Alfa Laval AB, and may not be copied, reproduced, transmitted or communicated to a third party, nor used for any purpose without written permission.



Lifting eye bolt removed.



Article No.	Name/ Designation	Material/Blank	Note		
Title alfapure 3			Alfa Laval Alfa Laval Tumba AB Sweden		
First angle projection Method ISO E	Responsible Department EDR	Date 2003-12-10	Sheet No. 1	No. of sheets 1	Revision No. 0
Creator JNMA		Approved PLN	Document No. 573355		

Revision No.	Date	Revised	Approved